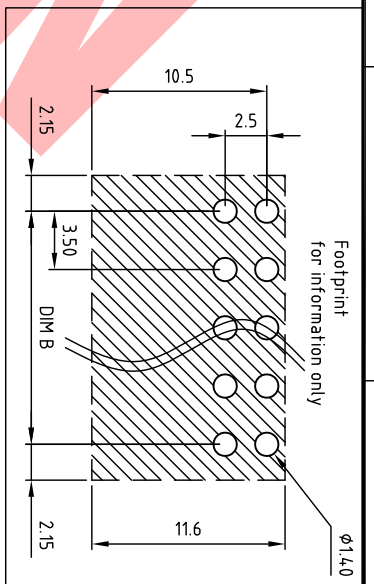
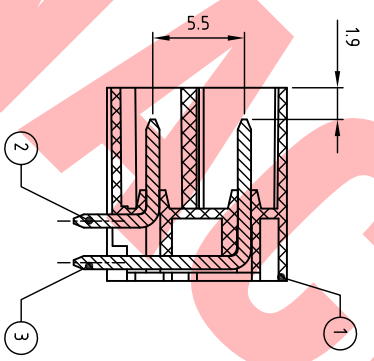
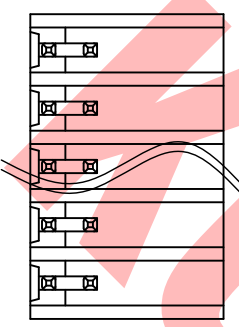
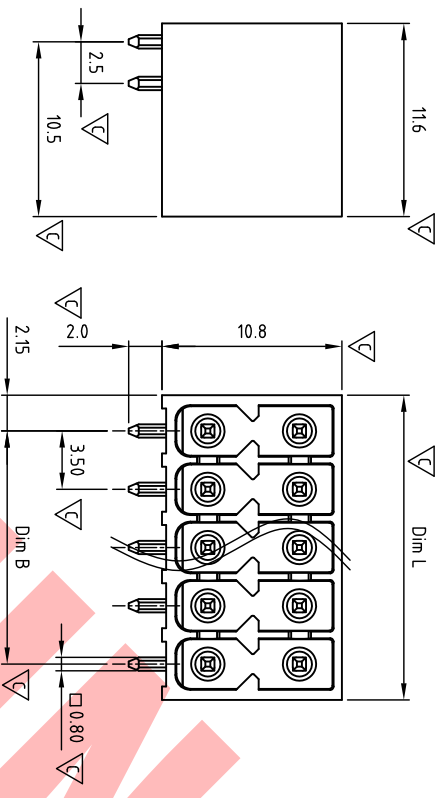
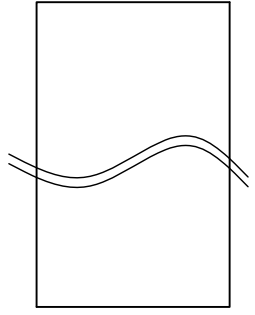


Transfer or duplication of this document as well as the utilisation or communication of its content are not permitted unless express consent is granted. Violations give rise to claims for damages. All rights reserved in case of patent, utility model or design patent registrations.



Technical data

1. Nominal voltage: 150V/8A
PITCH: 3.5mm
2. Insulation Withstands Voltage:
AC 1300V/MIN
3. Insulation Resistance:
1000MΩ or more at DC500V
4. Using temperature range: -40°C ~ 115°C
Soldering temperature: 260±5°C/10s
5. Undimentioned Tolerances:

Dim. L = (P-1)X3.5+4.3	Dim. L	±0.20	±0.30
Dim. B = (P-1)X3.5	Dim. B	±0.20	±0.25
P = 1/2 Number of poles (04 ~ 48P)	Dim. B	±0.25	±0.30
0-30mm	Dim. L	±0.30	±0.40
over 30mm-60mm			
over 60mm-90mm			
over 90mm			

6. Safety approval:
 7. RoHS Compliance
 8. Critical dimension:
- HGBH350-xx X xxx
 ① Poles 04-48(2x02-2x24)
 ② Color
 ③ Custom
 000 K MARK 00K KUNACON MARK

3	PIN	COPPER	TIN PLATED	1/2P				
2	PIN	COPPER	TIN PLATED	1/2P				
1	BODY	LCP UL94V-0	BLACK	1				
ITEM NAME OF PART		MATERIAL						
DWG.	WF. Zhang	DATE	2017.12.12	UNITS:	MM	SHEET:	1 OF 1	Tolerance
CHK.	WF. Zhang	DATE	2018.05.31	SCALE:	NONE 3:1()	REV.:	A	±0.50
APP.		DATE		TITLE:	HG-BH350 Series Close type			±0.30
					Right-angle (90D) THR			±0.10
				PART NO.	HGBH350xxxxxx			X°
				DWG NO.	HG-BH350-B001			±1°

△	SIGN	DESCRIPTION	CHK.	DATE
---	------	-------------	------	------



KUNA Contact Technology Co. Ltd
<http://www.kunacon.com>