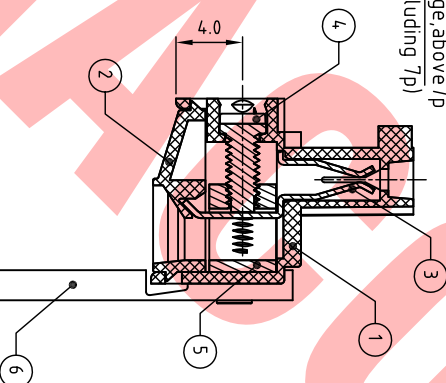


| Body pole     | handle pole |
|---------------|-------------|
| 产品位数          | 搭配手柄位数      |
| 2p, 4p        | 2p          |
| 3p, 5p, 7p    | 3p          |
| 6p, 8p        | 4p          |
| 9p, 11p, 13p  | 5p          |
| 10p, 12p, 14p | 6p          |
| 15p, 17p, 19p | 7p          |
| 16p, 18p, 20p | 8p          |
| 21p, 23p      | 9p          |
| 22p, 24p      | 10p         |



Technical data

- Nominal voltage: 300V/8A (IEC 160V/8A) PITCH:3.81mm
- Connection capacity: AWG 30-16 (0.14-1.5mm<sup>2</sup>)
- Insulation Withstands Voltage: AC 1600V/MIN / AC 2000V/MIN
- Insulation Resistance: 1000MΩ or more at DC500V
- Tightening torque: 2.3kgf.cm (0.23N.m)
- Screw thread: M2
- Stripping length: 6-7mm
- Using temperature range:-40C°~115C°
- Undimensioned Tolerances:

|                | Dim B | Dim L |
|----------------|-------|-------|
| 0-30mm         | ±0.15 | ±0.20 |
| over 30mm-60mm | ±0.20 | ±0.25 |
| over 60mm-90mm | ±0.25 | ±0.30 |
| over 90mm      | ±0.30 | ±0.40 |

- Safety approval:
- RoHS Compliance
- Critical dimension:

MAST381 xx X HQX  
 ① Poles 02-24  
 ② Color  
 0 Black 3 Orange 5 Green 6 Blue 8 Dark gray.....  
 ③ Custom  
 H00 "K" logo H0K KUNACON logo

| ITEM | NAME OF PART | MATERIAL      | NOTES               |
|------|--------------|---------------|---------------------|
| 6    | HANDLE       | PA66 UL94V-0  | ALL COLOR           |
| 5    | CAGE         | BRASS         | M2.0x0.4, Ni PLATED |
| 4    | SCREW        | STEEL         | M2.0x0.4, Zn Plated |
| 3    | WIRE GUARD   | BRONZE (PbZn) | TIN PLATED          |
| 2    | COVER        | PA66 UL94V-0  | ALL COLOR           |
| 1    | BODY         | PA66 UL94V-0  | ALL COLOR           |

| DWG | WF   | Zhang | DATE | 2017.12.22 | MM   | SHEET     | 1 OF 1 | Tolerance       |
|-----|------|-------|------|------------|------|-----------|--------|-----------------|
| CHK | WF   | Zhang | DATE | 2018.02.28 | NONE | 2.5:1 (.) | REV: A | ±0.50           |
| APP | DATE |       |      |            |      |           |        | ±0.30           |
|     |      |       |      |            |      |           |        | ±0.10           |
|     |      |       |      |            |      |           |        | ±1 <sup>o</sup> |

| SIGN | DESCRIPTION | CHK | DATE |
|------|-------------|-----|------|
|      |             |     |      |

KUNA Contact Technology Co, Ltd  
<http://www.kunacon.com>

PART NO: MAST381xxxxHxx  
 DWG NO: MA-S381-B201