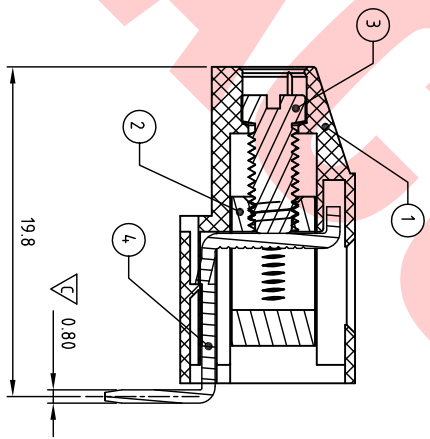
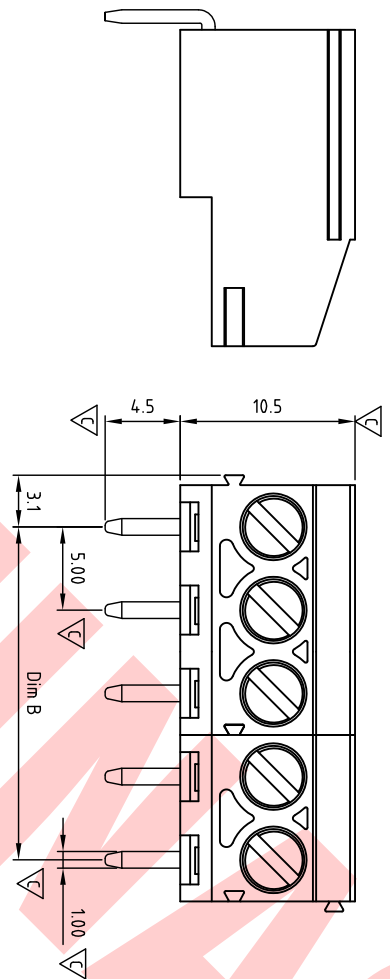
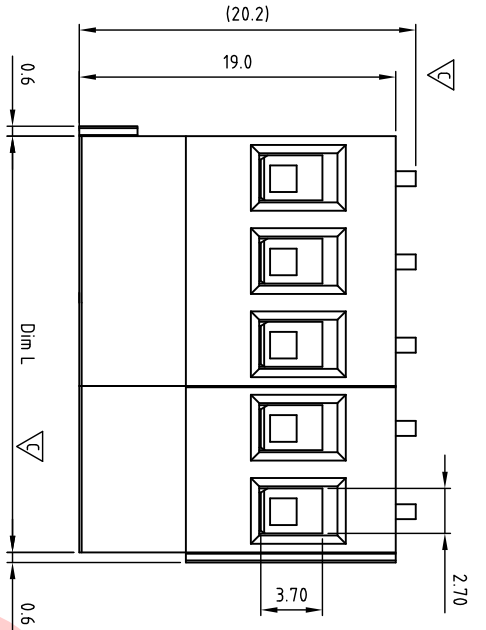


Transfer or duplication of this document as well as the utilisation or communication of its content are not permitted unless express consent is granted. Violations give rise to claims for damages. All rights reserved in case of patent, utility model or design patent registrations.

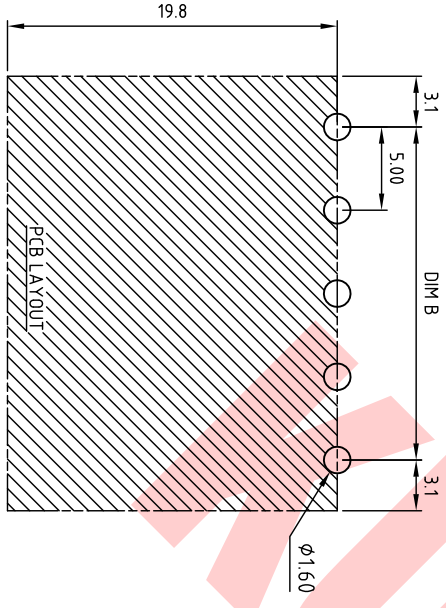


Dim L = P x 5.0	Dim B = P - 1(x) x 5.0	P = number of poles (02-24P)
0-30mm	±0.15	±0.20
over 30mm-60mm	±0.20	±0.25
over 60mm-90mm	±0.25	±0.30
over 90mm	±0.30	±0.40

- Technical data**
- 1. Nominal voltage: 300V/20A
 - PITCH: 5.0mm
 - 2. Connection capacity: AWG 30-12
 - 3. Insulation Withstands Voltage: AC 1600V/MIN
 - 4. Insulation Resistance: 1000MΩ or more at DC500V
 - 5. Tightening torque: 4. 3Lb-In(5.0kgf.cm / 0.5N.m)
 - 6. Screw thread: M3
 - 7. Stripping length: 7-8mm
 - 8. Using temperature range: -40C° ~ 115C°
 - Soldering temperature: 250±10C°/5s
 - 9. Undimentioned Tolerances:

- 10. Safety approval:
- 11. RoHS Compliance
- 12. Critical dimension:

EJVM500 xx x HOXA
 EJVM500 xx X HOX
 ①Poles 02-24
 ②Color
 0 Black 5 Green 6 Blue G Pale gray 8 Dark gray...
 ③Custom
 H00 K MARK H0K KUNACON MARK.....



ITEM	NAME OF PART	MATERIAL	NOTES
4	CONTACT	BRASS	Tin PLATED
3	SCREW	STEEL	M3x0.5, Zn Plated
2	CAGE	BRASS	M3x0.5, Ni PLATED
1	BODY	PA66 UL94V-0	ALL COLOR

DWG.	WF. Zhang	DATE	2017.07.20	UNITS:	MM	SHEET:	1 OF 1	Tolerance
CHK.	WF. Zhang	DATE	2017.07.20	SCALE:	NONE 3:1 (.)	REV.:	A	±0.50
APP.		DATE		TITLE:	EJ-V500 Series 2-Headerlock			±0.30
					900 " " Slot Screw(H=19.0mm)			±0.10

PART NO.	DWG NO.	TOLERANCE
EJVM500xxxxxxx	EJ-V500-B101	±1°



SIGN	DESCRIPTION	CHK.	DATE